

JEDEC
SOLID STATE
PRODUCT OUTLINE

THIS **REGISTERED OUTLINE** HAS BEEN PREPARED BY THE JEDEC JC-11 COMMITTEE AND REFLECTS A PRODUCT WITH ANTICIPATED USAGE IN THE ELECTRONICS INDUSTRY; CHANGES ARE LIKELY TO OCCUR.

TITLE
PLASTIC SMALL OUTLINE PACKAGE
(SOT/SOP), 3 LEADS

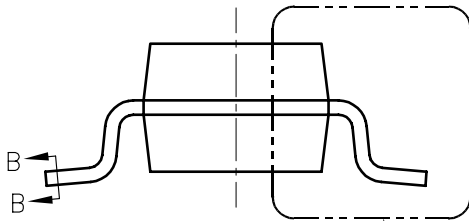
PACKAGE DESIGNATOR
R-PDSO-G

ISSUE
H

DATE
1/99

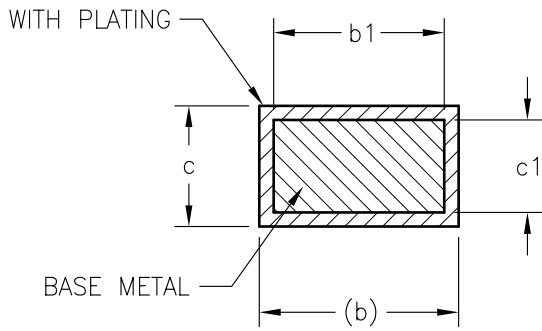
TO-236

SHEET
1 OF 4

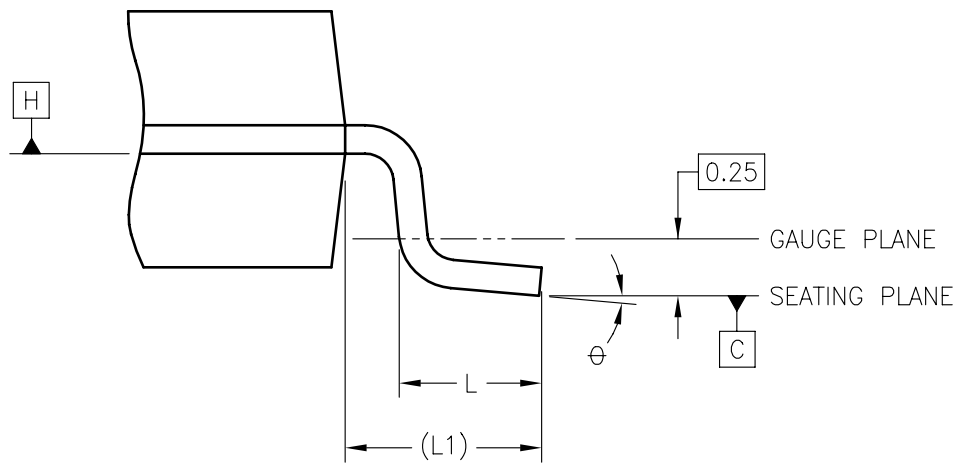


VIEW A-A
SHEET 1

SEE VIEW C



SECTION B-B

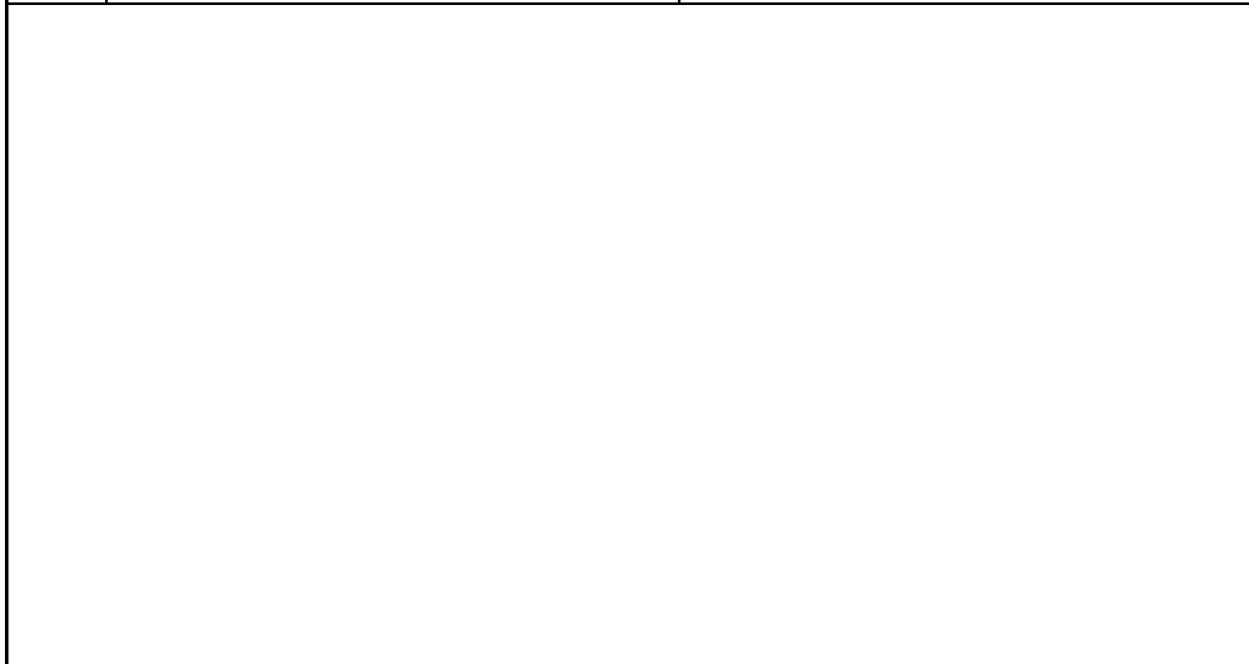


VIEW C

<p>JEDEC SOLID STATE PRODUCT OUTLINE</p>	<p>TITLE PLASTIC SMALL OUTLINE PACKAGE (SOT/SOP), 3 LEADS</p>	<p>ISSUE H</p>	<p>DATE 1/99</p>	<p>TO-236</p>	<p>SHEET 2 OF 4</p>
--------------------------------------------------	-----------------------------------------------------------------------	--------------------	----------------------	---------------	-------------------------

VARIATIONS

SYMBOL	AA			NOTES	AB			NOTES
	MINIMUM	NOMINAL	MAXIMUM		MINIMUM	NOMINAL	MAXIMUM	
A	0.75	–	1.17		0.89	–	1.12	
A1	0.05	–	0.15		0.01	–	0.10	
A2	0.70	0.85	1.02		0.88	0.95	1.02	
b	0.30	–	0.50	6	0.30	–	0.50	6
b1	0.30	0.40	0.45	6	0.30	0.40	0.45	6
c	0.08	–	0.20	6	0.08	–	0.20	6
c1	0.08	0.10	0.16	6	0.08	0.10	0.16	6
D	2.80	2.90	3.04	3,4	2.80	2.90	3.04	3,4
E	2.10	–	2.64		2.10	–	2.64	
E1	1.20	1.30	1.40	3,4	1.20	1.30	1.40	3,4
e	0.95 BSC				0.95 BSC			
e1	1.90 BSC				1.90 BSC			
L	0.40	0.50	0.60		0.40	0.50	0.60	
L1	0.54 REF				0.54 REF			
N	3			5	3			5
θ	0°	–	8°		0°	–	8°	
NOTES	1,2				1,2			
REF	10-97, 10-114, 10-329, 10-379				10-97, 10-114, 10-329, 10-379			
ISSUE	8/80, 11/82, 5/93, H				8/80, 11/82, 5/93, H			



NOTES:

1. DIMENSIONING AND TOLERANCING PER ASME Y14.5M- 1994.
2. ALL DIMENSIONS ARE IN MILLIMETERS.

3

DIMENSION D DOES NOT INCLUDE MOLD FLASH, PROTRUSIONS OR GATE BURRS. MOLD FLASH, PROTRUSIONS OR GATE BURRS SHALL NOT EXCEED 0.25 mm PER END. DIMENSION E1 DOES NOT INCLUDE INTERLEAD FLASH OR PROTRUSION. INTERLEAD FLASH OR PROTRUSION SHALL NOT EXCEED 0.25 mm PER SIDE.

4

THE PACKAGE TOP MAY BE SMALLER THAN THE PACKAGE BOTTOM. DIMENSIONS D AND E1 ARE DETERMINED AT THE OUTERMOST EXTREMES OF THE PLASTIC BODY EXCLUSIVE OF MOLD FLASH, TIE BAR BURRS, GATE BURRS AND INTERLEAD FLASH, BUT INCLUDING ANY MISMATCH BETWEEN THE TOP AND BOTTOM OF THE PLASTIC BODY.

5

TERMINAL NUMBERS ARE SHOWN FOR REFERENCE ONLY.

6

THESE DIMENSIONS APPLY TO THE FLAT SECTION OF THE LEAD BETWEEN 0.08 mm AND 0.15 mm FROM THE LEAD TIP.

7

DATUMS A AND B TO BE DETERMINED AT DATUM PLANE H.

JEDEC SOLID STATE PRODUCT OUTLINE	TITLE PLASTIC SMALL OUTLINE PACKAGE (SOT/SOP), 3 LEADS	ISSUE H	DATE 1/99	TO-236	SHEET 4 OF 4
-----------------------------------------	--------------------------------------------------------------	------------	--------------	--------	-----------------